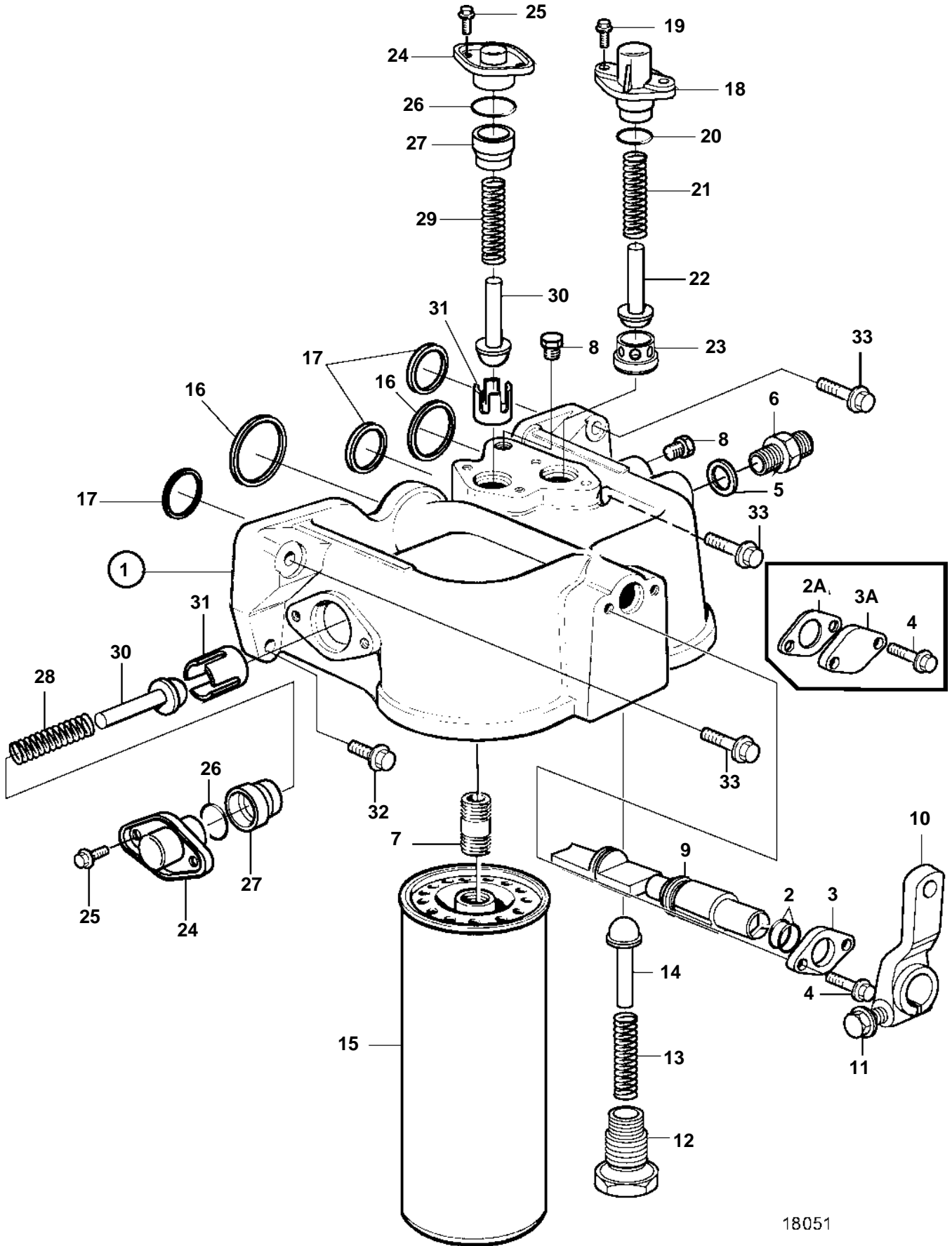


TAMD162A, TAMD162B, TAMD162C, TAMD162C-B



18051

TAMD162A, TAMD162B, TAMD162C, TAMD162C-B

REF	PART NO.	QTY	DESCRIPTION	NOTES
1	3826150	1		CLASSIFIABLE
2	949657	2	· O-ring	
3	842912	1	· Flange	
4	946544	2	· Flange screw	
5	947624	1	· Gasket	
6	941330	1	· Nipple	
7	466623	2	· Nipple	
8	479979	2	· Plug	
9	3826152	1	· Shift valve	
10	964408	1	· Lever	
11	946752	1	· Flange screw	
12	471598	1	· Plug	
13	466653	1	· Spring	
14	471085	1	· Valve	POSITION INDICATOR
15	478736	2	Oil filter	
16	8192187	2	Sealing ring	
17	8192189	3	Sealing ring	
18	1543608	1	Cover	
19	946671	2	Flange screw	
20	1543577	1	Sealing ring	
21	1543611	1	Spring	REDUCTION OIL PRESSURE
22	1543610	1	Peg	
23	1543964	1	Valve seat	
24	1542267	2	Cover	
25	945414	4	Screw	
26	1543577	2	Sealing ring	
27	1542266	2	Sleeve	
28	466653	1	Spring	OVERFLOW
29	466653	1	Spring	PISTON COOLING
30	471085	2	Valve	
31	1542265	2	Seat	
32	945444	1	Flange screw	L=25mm
33	947760	3	Flange screw	L=40mm